

# Data Sheet



## 3M 314

### Application:

Use 3M Brand 314 to electrically connect two or three wire ends, insulate the connection and provide a moisture resistant seal.

### Wire Range:

22-16 AWG solid or stranded copper conductors with a maximum insulation of .160 inches.

### Construction:

U-Contact Tin plated brass .02 inches (0.5 mm) thick  
Insulator Flame retardant nylon, Blue cap - White body.  
Sealant Mineral oil base EG-3 grease

For Material Safety Data Sheet contact Elecuical Product Division/3M

3M Austin center, A145 -4N-02 Austin, Tx.  
78726-9000 (612)733 1110 Operator#55

### Regulatory Agencies:

UL Listed - Tested per UL Standard 486C  
UL File No. E23438

CSA Certified - CSA Std. C22.2 No. O. 188-M1983  
CSA File No. LR15503

(Voltage rated at 600 volts maximum, building wire: 1000 volts maximum, signs, fixtures & luminaries. Operating Temperature: 105°C.)

NOTE: Listed and Certified for AWG only.

Connector is not recommended for direct underground burial or other submerged applications.

### Weight:

.0077 lb. (3.49 gm)

### Recommended Installation Tool:

3M No. E-9BM Crimping tool or  
8" Slip Joint Pliers

### Installation Instructions:

**CAUTION** - Turn power off before installing connector. All electrical work should be done according to appropriate electrical codes.

Use with insulated copper conductors.

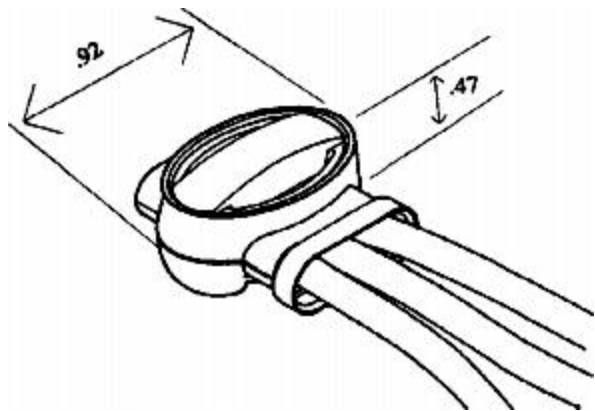
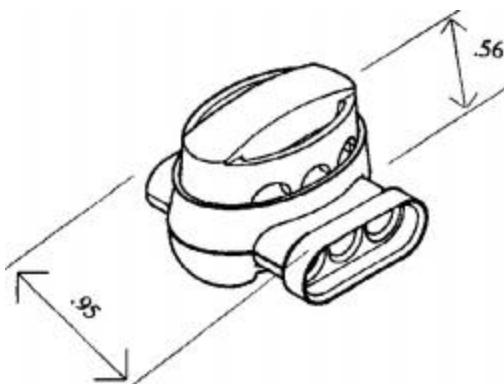
Do not strip insulation from conductors.

1. Insert 2 or 3 unstripped conductors completely into connector and check their position by looking through the translucent body.
2. Hold tool perpendicular to the conductors and make the connection by driving the cap down flush with the top edge of the connector body.

### Engineering Specification:

Self-Stripping Electrical Connector (as manufactured by 3M, Part No. 314) capable of connecting 2 or 3 wires in the range of No. 22 thru No. 14 AWG solid or stranded copper wire in a pigtail application while insulating the connection and providing a moisture resistant seal.

Connector shall be UL Listed and CSA Certified for 600 volts maximum, building wire: 1000 volts maximum, signs, fixtures and luminaries, and temperature rated 105°C maximum.



**IMPORTANT NOTICE TO  
PURCHASER:**

All statements, technical information and recommendations related to the Seller's products are based on information believed to be reliable, but the accuracy or completeness thereof is not guaranteed. Before utilizing the product, the user should determine the suitability of the product for its intended use. The user assumes all risks and liability whatsoever in connection with such use.

All statements or recommendations of the Seller which are not contained in the Seller's current publications shall have no force or effect unless contained in an agreement signed by an authorized officer of the Seller. The statements contained herein are made in lieu of all warranties expressed or implied, including but not limited to the implied warranties of merchantability and fitness for a particular purpose which warranties are hereby expressly disclaimed.

**SELLER SHALL NOT BE LIABLE TO THE USER OR ANY OTHER PERSON UNDER ANY LEGAL THEORY, INCLUDING BUT NOT LIMITED TO NEGLIGENCE OR STRICT LIABILITY, FOR ANY INJURY OR FOR ANY DIRECTOR CONSEQUENTIAL DAMAGES SUSTAINED OR INCURRED BY REASON OF THE USE OF ANY OF THE SELLER'S PRODUCTS.**

© 3M 1993  
10/5/93

**3M Electrical Products  
Division  
6801 River Place Blvd.  
Austin, Texas 78726 - 9000**

**3M**